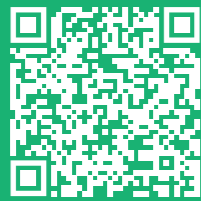


FILMS & LABELS

At Nicely, we prioritize delivering exceptional service to support our clients' success. Our dedicated technical team establishes direct connections with customers, providing comprehensive training and expert guidance to empower them in maximizing production capabilities.

With our on-site service team and flexible remote support, Nicely is always ready to provide prompt, professional, and reliable assistance to resolve any operational issues, minimizing downtime.

At Nicely, we recognize the importance of uptime and efficiency for customers. That's why we continuously strive for excellence through innovation and improvement. Choose Nicely, Experience unparalleled customer support that drives your success forward.



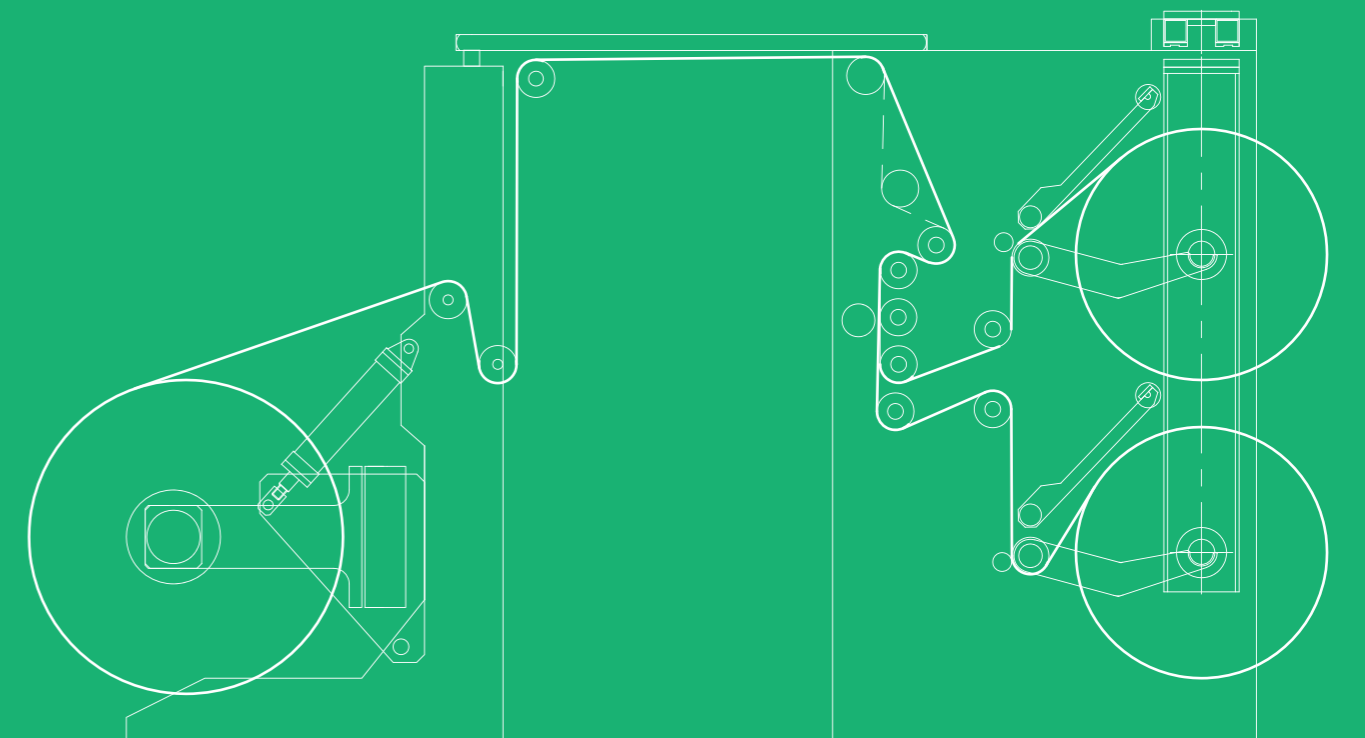
[Learn More](#)

EG-7008 series

Duplex Shaft Center Winding Slitter Rewinder

APPLICATIONS

- PSA , film & paper labelstock
- Liner-less thermal papers
- Coated, uncoated paper
- Pharmaceutical materials
- Aluminum lamination



NICELY

sales@nicely.com.tw / +886-3-3249020 / www.nicely-slitter.com

NICELY MACHINERY DEVELOPMENT CO., LTD



EG-7008 series

DUPLEX SHAFT CENTER WINDING SLITTER REWINDER

The EG-7008A series is a popular and highly sought-after model in the self-adhesive and PSA label industries. It is known for its exceptional features that enhance the overall experience. With an anti-telescoping device at the unwinder, a knife clean device, and a finish reel push-out device, this series ensures a smooth and convenient interface for operators. Moreover, the unloading system is designed to seamlessly transition from a vertical to a horizontal position, and it offers the added advantage of self-rotation, enabling efficient packing solutions.

FILMS & LABELS

Optional Features

- Splice device
- Inspection lightbox
- Motorized web threading
- Pneumatic cutters
- Auto. knife positioning
- Differential rewind shafts
- Laser-assisted core positioner
- Motorized unloading system
- Trim waste winder
- Enhanced fencing & safety implements
- Finished roll bundling, weighing, conveying, and palletizing system



Standard Features

- Shaftless unwind stand
- Overhead or underneath web path
- Shear or razor cutters
- Trim removal system
- Contact pressure roller
- Motorized finished roll pusher
- Manual unloading unit
- PLC control system incorporated with HMI touch screen

General Specifications

Roller width	1000 – 2300 mm
Unwind diameter	800 – 1500 mm
Min. slit width	50 mm, and up
Max. rewind diameter	800 mm
Machine speed	300 / 500 / 800 M/min

Other specification is offered at request.

